



SolarLake-PM

5500 / 7000 / 8500 / 10000TL-PM

SIMPLE. FLEXIBLE.

- Simplified system design due to dual MPPT and wide input voltage range up to 1,000 V
- Free site selection due to IP65
- Parameter and country code setting during initial start-up

OPEN. CONVERSATIONAL.

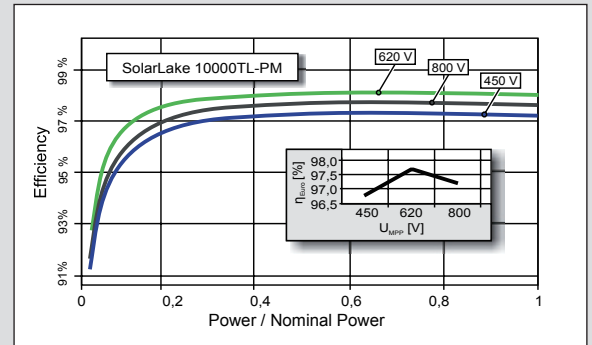
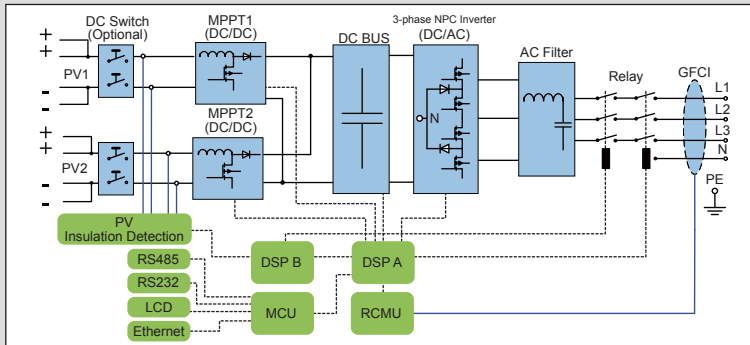
- Interface selection – Ethernet, Wi-Fi and RS485 for more flexible configuration and system monitoring
- Multi-lingual 3.5" TFT LCD display
- Easy key pad operation
- Digital inputs for the economic connection of a ripple control receiver
- Configurable multi-function relay output
- Integrated data logger incl. SD card slot

SECURE. EFFICIENT.

- Highest earnings through max. efficiency up to 98 %
- Safe operation due to integrated DC-switch
- Free access to the Samil Power monitoring portal

RELIABLE . ECONOMICAL.

- Sturdy design due to High Accelerated Life Testing(HALT) and Rigorous Multiple Environmental Over Stress Testing(MEOST)
- Electrolyte-free design to guard against dried cap issue and help to improve long term reliability
- Designed and qualified for applications in tropical environments through salt fog testing and use of conformal coating
- Defeating shade effect by Global Peak Tracker



	SolarLake 5500TL-PM	SolarLake 7000TL-PM	SolarLake 8500TL-PM	SolarLake 10000TL-PM
Input (DC)				
Max. DC power (@cosφ=1) total / per MPP input	5800W / 3500W	7400W / 4500W	8900W / 5500W	10500W / 6500W
Max. input voltage	1000 V			
MPP voltage range / rated input voltage	250 V - 800 V / 620 V	320 V - 800 V / 620 V	390 V - 800 V / 620 V	450 V - 800 V / 620 V
Min. input voltage / initial input voltage	250 V / 300 V			
Max. input current input A / input B	11.5 A / 11.5 A			
Max. input current per string input A / input B	11.5 A / 11.5 A			
Number of independent MPP inputs / strings per MPP input	2 / 1			
Output (AC)				
Rated power (@ 230 V / 50 Hz)	5500 W	7000 W	8500 W	10000 W
Max. apparent AC power	5500 VA	7000 VA	8500 VA	10000 VA
Nominal AC voltage / range	3 / N / PE, 230 V, 400 V / 180 V - 277 V			
AC frequency	50 Hz / 60 Hz			
Rated grid voltage / rated grid frequency	230 V / 50 Hz			
Max. output current per phase	8 A	10 A	12.3 A	14.5A
Power factor at rated power	1			
Displacement power factor, adjustable	0.8 leading - 0.8 lagging			
Feed-in phases / connection phases	3 / 3			
THDi (at rated power)	< 3%			
Efficiency				
Max. Efficiency / European weighted efficiency	98.0 % / 97.2 %	98.0 % / 97.5 %	98.1 % / 97.5 %	98.1 % / 97.6 %
Protective devices				
DC disconnect device / AC disconnect device	● / -			
Ground fault monitoring / grid monitoring	● / ●			
DC reverse polarity protection / AC short-circuit current capability	● / ●			
Galvanic isolation	-			
All-pole-sensitive residual-current monitoring	●			
Protection class (according to IEC 62103) / Overvoltage category (according to IEC 60664-1)	I / II (DC), III (AC)			
General data				
Dimensions (W / H / D)	440 / 580 / 210 mm			
Weight	24 kg			
Operating temperature range	-25 °C ... +60 °C			
Noise emission (typical)	< 35 dB			< 47 dB
Self-consumption (night)	0 W			
Topology	Transformerless			
Cooling concept	Convection			Fan
Degree of protection (according to IEC 60529)	IP65			
Maximum humidity (non-condensing)	95 %			
Features				
DC connection / AC connection	MC4, H4, SUNCLIX / Tool-free plug			
Display	3.5" TFT LCD			
Interface: RS485 / Wi-Fi / Ethernet	○ / ○ / ●			
Multi-function relay / digital input	3 / 4			
Guarantee: 5 / 10 / 15 / 20 years	● / ○ / ○ / ○			
Certificates and approvals (additional on request)	CE, VDE 0126-1-1, G83/2, EN 61000-3-2/3, EN 6100-6-1/2/3/4, IEC 62109-1/2, VDE AR-N4105, CEI 0-21, AS 4777.2/3, AS 3100:2009, C10/11, EN 50438, UTE C15-712-1, IEC 62116, IEC 61727			

● Standard features ○ Optional features — Not available



Samil Power Co., Ltd. (China)

Sales and Service Center, Wuxi
No.52, Huigu Innovation Park, Huishan District, Wuxi,
Jiangsu Province, 214174 P.R.C
T: +86 (0) 510 8359 3132
F: +86 (0) 510 8181 9678
E: info@samilpower.com

Samil Power Ausco Pty Ltd. (Australia)

Sydney Business and Technology Centre
Unit 5/2 Railway Parade
Lidcombe NSW 2141
T: +61 (0) 2 9643 7788
E: australia@samilpower.com

Samil Power Co., Ltd. (China)

Factory, Suqian
No.6 Xuefengshan Road,
Suyu District, Suqian,
Jiangsu Province, 214174 P.R.C

Samil Power US Ltd. (USA)

3478 Buskirk Avenue, Suite 1000,
Pleasant Hill, CA 94523
T: +1 (925) 930 3924
E: usa@samilpower.com

Samil Power GmbH (Germany)

Planckstraße 13
D-22765 Hamburg
T: +49 162 3333 055
E: germany@samilpower.com

Samil Power s.r.l. (Italia)

Sede legale: C.so P.ta Vittoria 18
20122 Milano
T: +39 02 45 077 584
F: +39 02 40 043 490
E: italy@samilpower.com

Samil Power UK Ltd. (UK)

Unit 19 Horseshoe Park Horseshoe Lane
Pangbourne Reading RG8 7JW
T: +44 (0) 118 984 4481
F: +44 (0) 118 984 4745
E: uk@samilpower.com

Samil Power France SARL (France)

E: france@samilpower.com

Support Center Australia

E: service-australia@samilpower.com

Support Center Nederland

E: service-netherlands@samilpower.com

Support Center Deutschland

E: service-germany@samilpower.com

Support Center UK

E: service-uk@samilpower.com

Centro Assistenza Italia

E: service-italy@samilpower.com

Support Center USA

E: service-usa@samilpower.com

